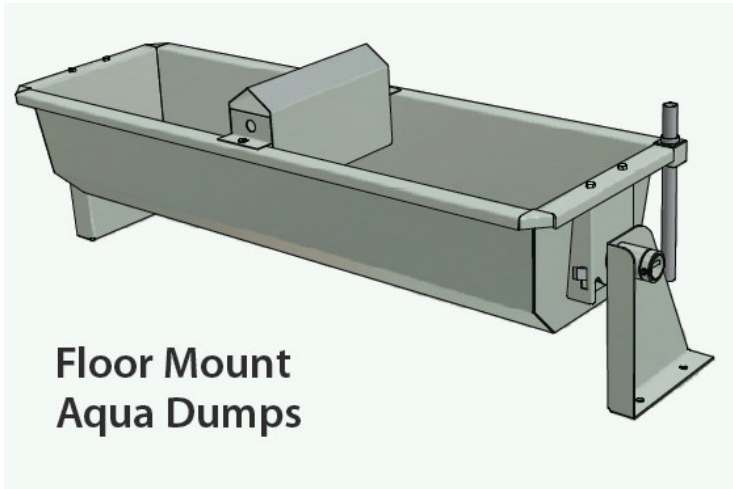


# Aqua Dump

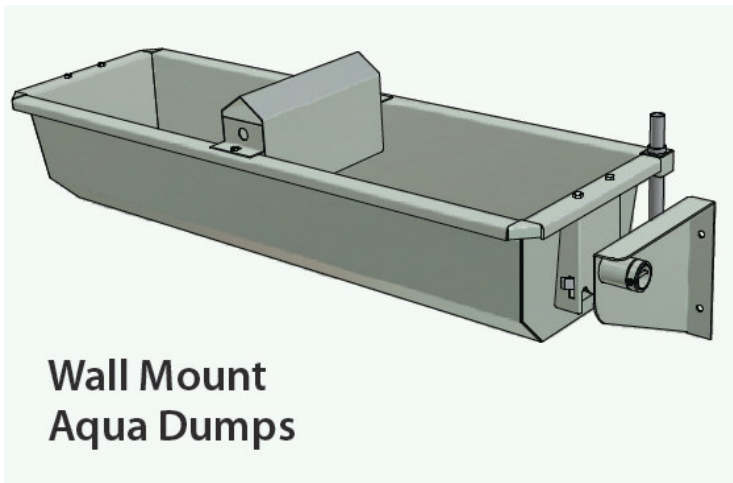
This unique design will empty all the grime and impurities from the bottom of the tank. Turn it upright again and it will re-fill with fresh, clean water.

- 6'0" long - 68 gallon capacity (suitable for ≈ 50 cows\*)
- 8'0" long - 90 gallon capacity (suitable for ≈ 70 cows\*)
- 10'0" long - 110 gallon capacity (suitable for ≈ 82 cows\*)

Install your Aqua Dump 34 inches from the floor to the top of the trough



**Floor Mount  
Aqua Dumps**



**Wall Mount  
Aqua Dumps**

## DIMENSIONS

### Length:

Add 10 inches to the length to allow total width of brackets etc.

eg: 10ft Aqua-Dump is 10ft 10inches to outside of mountings.

### Width:

All Aqua-Dumps are approx. 1ft 10inches wide. Usually allow 2ft to enable room for pipes etc.

### Depth:

All Aqua-Dumps are approx. 2ft high.

Aqua-Dumps are not supplied with ball valves. They will also need drilling to fix valve housing.

**Wilson Agriculture**

**Tel: 02870 868430 Fax: 02870 868803**

**e-mail: [cowcomfort@wilsonagri.co.uk](mailto:cowcomfort@wilsonagri.co.uk)**

**[www.wilsonagri.co.uk](http://www.wilsonagri.co.uk)**

\* based on Defra recommendation of 1m<sup>2</sup>/60cows